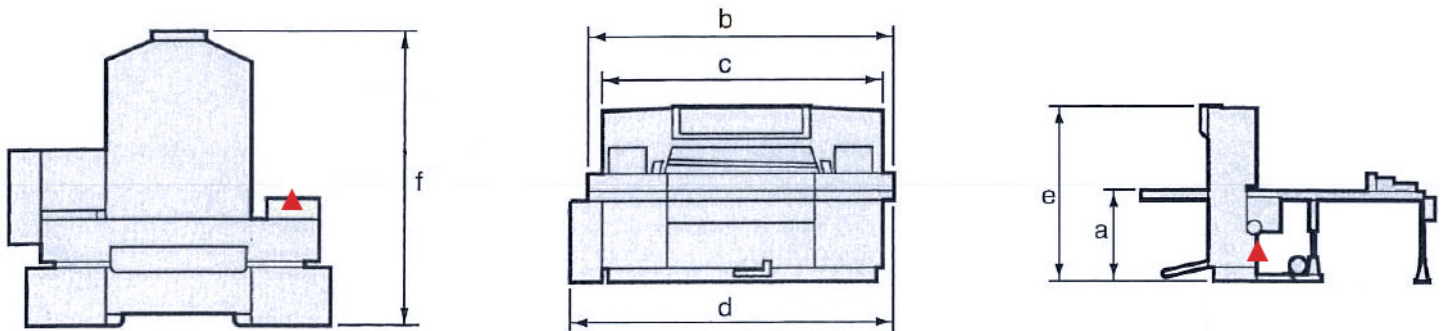


Itotec Guillotine Cutters - Since 1919

Itotec, manufactured in Japan, has been producing Guillotine Cutters and Ancillary Cutting equipment for over 100 years. Headquartered in the city Nagoya – home of Toyota – Itotec is a 6th generation family business with an install base of more than 12,000 Cutters worldwide.

Technical Specifications by Model

	SC-100Z		SC-115Z		SC-137Z		SC-160Z	
Cutting Width	40.55"	1030 mm	45.98"	1168 mm	53.94"	1370 mm	62.99"	1600 mm
Clamp Opening	6.50"	165 mm	6.50"	165 mm	6.50"	165 mm	6.50"	165 mm
Cutting Depth	39.37"	1000 mm	45.67"	1160 mm	51.97"	1320 mm	62.99"	1600 mm
Front Table Length	25.59"	650 mm	27.56"	700 mm	27.56"	700 mm	27.56"	700 mm
a. Table Height	34.45"	875 mm	34.45"	875 mm	34.45"	875 mm	35.04"	890 mm
b. Table Width	99.61"	2530 mm	105.04"	2668 mm	112.99"	2870 mm	137.80"	3500 mm
c. Machine Width	89.96"	2285 mm	93.70"	2380 mm	103.54"	2630 mm	116.54"	2960 mm
d. Machine Width (total)	104.72"	2660 mm	109.84"	2790 mm	118.50"	3010 mm	139.37"	3540 mm
e. Machine Height	65.35"	1660 mm	65.35"	1660 mm	65.35"	1660 mm	68.11"	1730 mm
f. Machine Length	96.06"	2440 mm	102.76"	2610 mm	108.66"	2760 mm	126.77"	3220 mm
Electrical	220 Volts 3 Phase 30 Amp		220 Volts 3 Phase 30 Amp		220 Volts 3 Phase 40 Amp		220 Volts 3 Phase 50 Amp	



▲ = Power Hookup

Additional Questions?

Gary Martin – Service Manager
 1-800-236-7603 x 1009
 GaryM@BestGraphics.net

Natalie Brahm – Operations & Supply Chain
 1-800-236-7603 x 1014
 NatalieB@BestGraphics.net